



Diagram v6.8

DNS CONFIGURATION

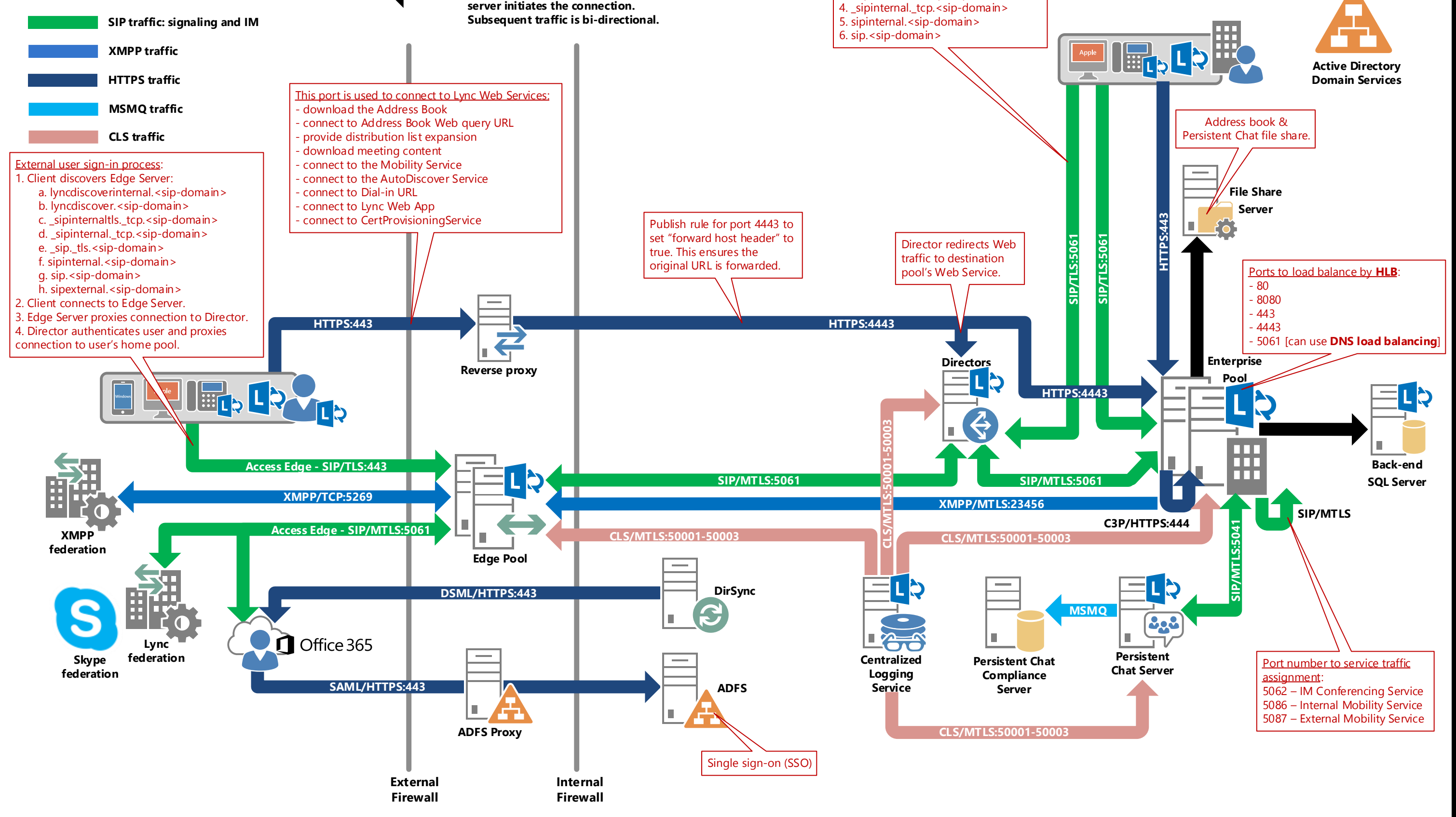
<http://technet.microsoft.com/en-us/library/gg398758.aspx>

DNS TYPE	VALUE	RESOLUTION	PURPOSE
INTERNAL DNS CONFIGURATION			
SRV	_sipinternaltls._tcp.<sip-domain>	pool FQDN	internal user access
A/CNAME	lyncdiscoverinternal.<sip-domain>	pool IP address	internal AutoDiscover Service
A	admin URL	pool IP address	Lync Server Control Panel (LSCP)
A	meet URL	pool IP address	Lync Server Web Service
A	dial-in URL	pool IP address	Lync Server Web Service
A	internal Web Services FQDN	pool IP address	Lync Server Web Service
EXTERNAL DNS CONFIGURATION			
SRV	_sipfederationtls._tcp.<sip-domain>	Access Edge FQDN: access.<sip-domain>	Federation and public IM connectivity
SRV	_sip._tls.<sip-domain>	Access Edge FQDN: access.<sip-domain>	external user access
SRV	_xmpp-server._tcp.<sip-domain>	Access Edge FQDN: access.<sip-domain>	XMPP federation
A	edge.fqdn	Access Edge FQDN: access.<sip-domain>	locate Edge Server
A	Access Edge FQDN: access.<sip-domain>	Access Edge IP address	Edge Server Access edge
A	AV Edge FQDN: av.<sip-domain>	AV Edge IP address	Edge Server A/V edge
A	Conf Edge FQDN: conf.<sip-domain>	Conf Edge IP address	Edge Server Conf edge
A/CNAME	lyncdiscover.<sip-domain>	reverse proxy public IP address	external AutoDiscover Service
A	meet URL	reverse proxy public IP address	proxied to Lync Server Web Service
A	dial-in URL	reverse proxy public IP address	proxied to Lync Server Web Service
A	external Web Services FQDN	reverse proxy public IP address	proxied to Lync Server Web Service

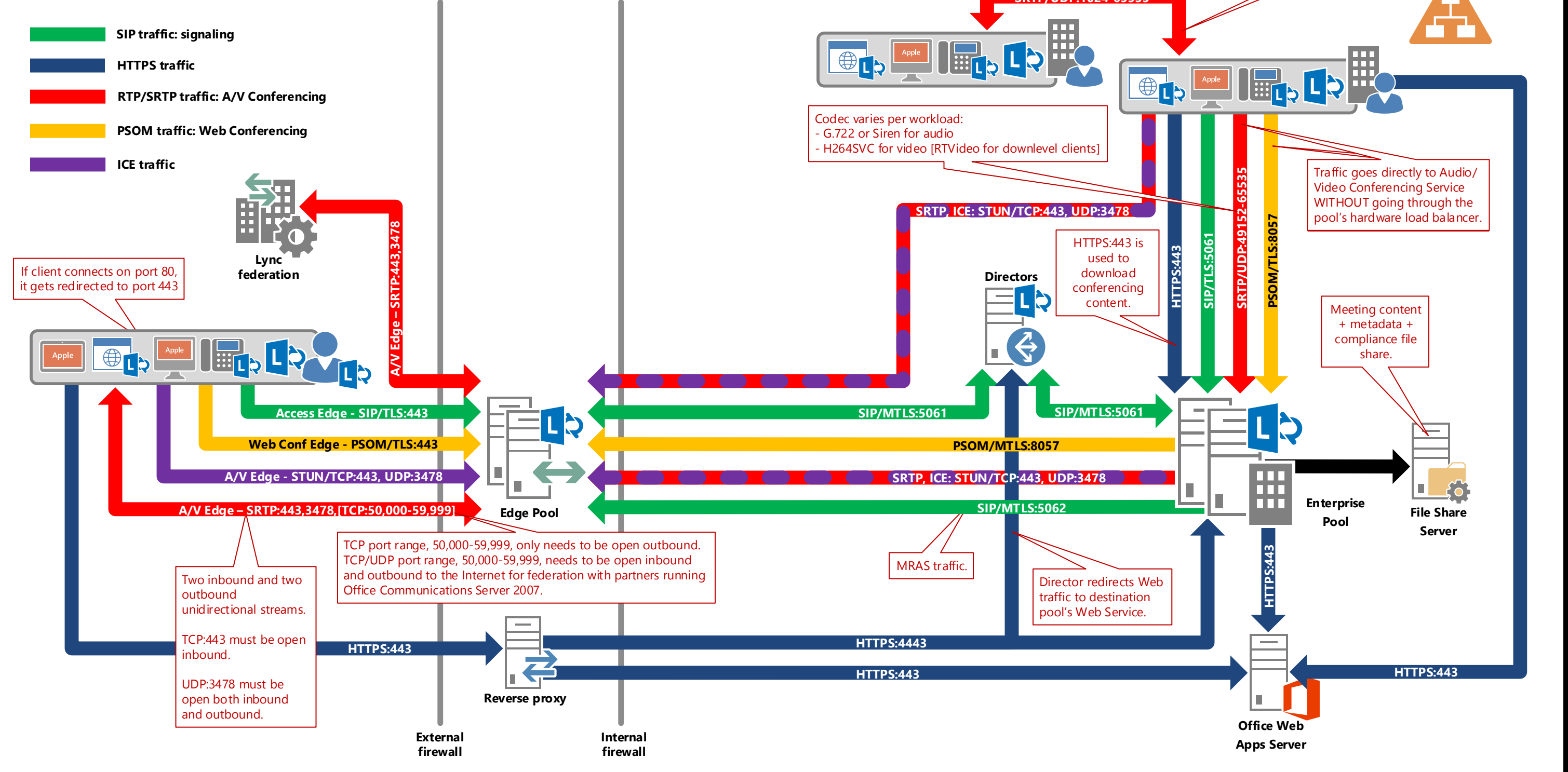
CERTIFICATE REQUIREMENTS

Enterprise pool	<p>FQDN: pool.<ad-domain> Certificate SN: pool.<ad-domain> Certificate SAN: pool.<ad-domain>, fe.<ad-domain>, sip.<sip-domain>, lyncdiscoverinternal.<sip-domain>, lyncdiscover.<sip-domain>, admin URL, dial-in URL, server, server</p> <p>EKU: private CA</p>
Directors	<p>FQDN: dir.<ad-domain> Certificate SN: dir.<ad-domain> Certificate SAN: sip.<sip-domain>, lyncdiscoverinternal.<sip-domain>, lyncdiscover.<sip-domain>, admin URL, dial-in URL, server, server</p> <p>EKU: private CA</p>
Persistent Chat Server	<p>FQDN: chatsrv.<ad-domain> Certificate SN: chatsrv.<ad-domain> Certificate SAN: N/A, server, client</p> <p>EKU: private CA</p>
Mediation Server	<p>FQDN: medsrv.<ad-domain> Certificate SN: medsrv.<ad-domain> Certificate SAN: N/A, server</p> <p>EKU: private CA</p>
Branch Appliance	<p>FQDN: sba.<ad-domain> Certificate SN: sba.<ad-domain> Certificate SAN: sba.<ad-domain>, server</p> <p>EKU: private CA</p>
Office Web Apps Server	<p>FQDN: wacsrv.<ad-domain> Certificate SN: wacsrv.<ad-domain> Certificate SAN: wacsrv.<ad-domain>, server</p> <p>EKU: private CA</p>
Exchange UM Server	<p>FQDN: umsv.<ad-domain> Certificate SN: umsv.<ad-domain> Certificate SAN: N/A, server</p> <p>EKU: private CA</p>
Reverse proxy	<p>FQDN: external Web Service FQDN Certificate SN: external Web Service FQDN, lyncdiscover.<sip-domain>, meet URL, dial-in URL, wacsrv.<ad-domain>, server</p> <p>EKU: public CA</p>
Edge Servers	<p>Internal: FQDN: internal.<ad-domain> Certificate SN: internal.<ad-domain> Certificate SAN: server, private CA</p> <p>External: FQDN: access.<sip-domain> Certificate SN: access.<sip-domain>, sip.<sip-domain>, conf.<sip-domain>, server, public CA</p>

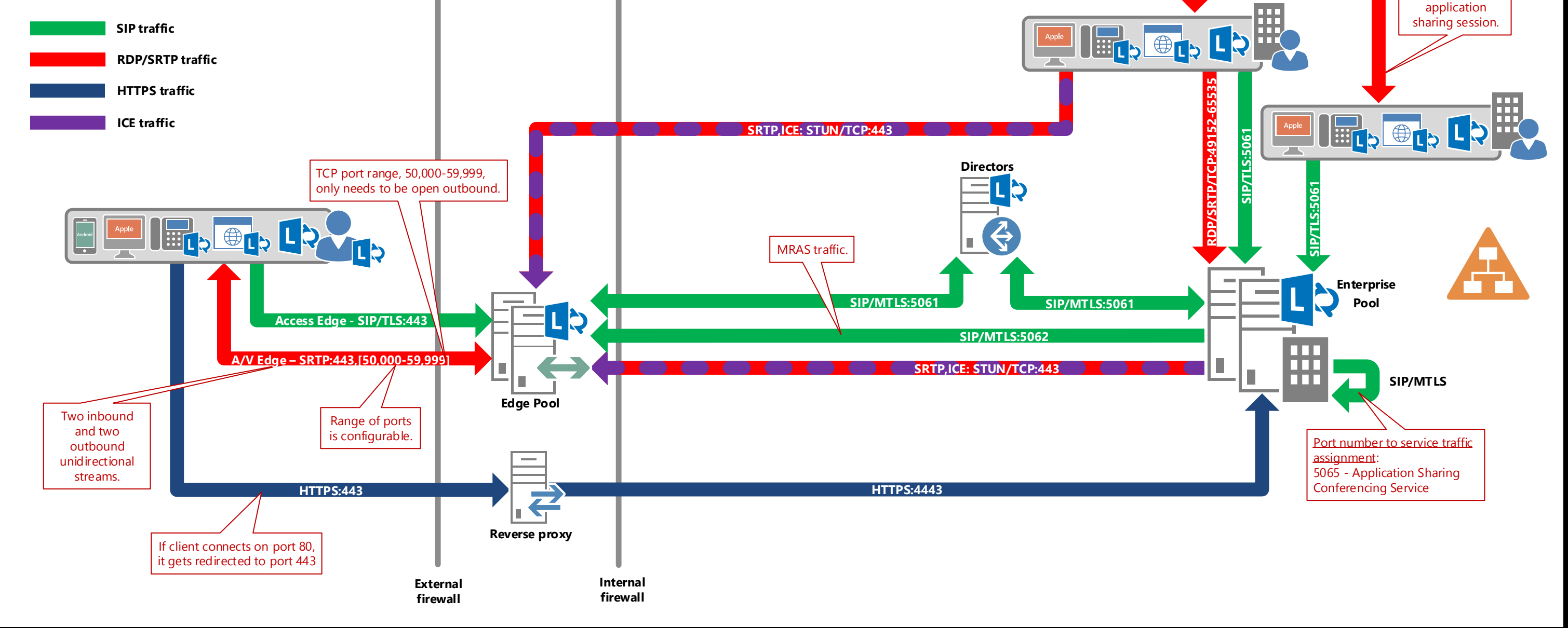
IM AND PRESENCE



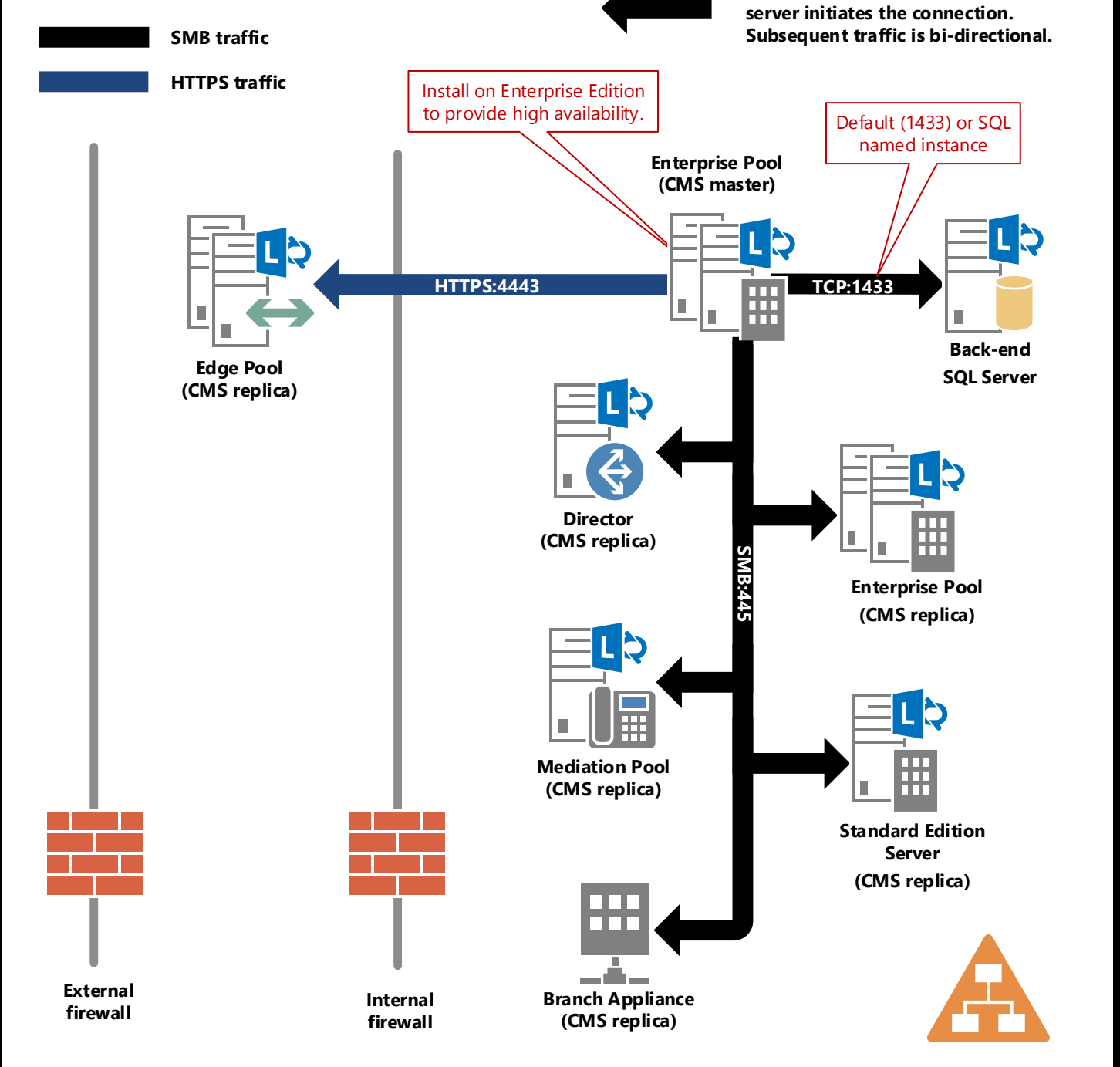
A/V AND WEB CONFERENCING



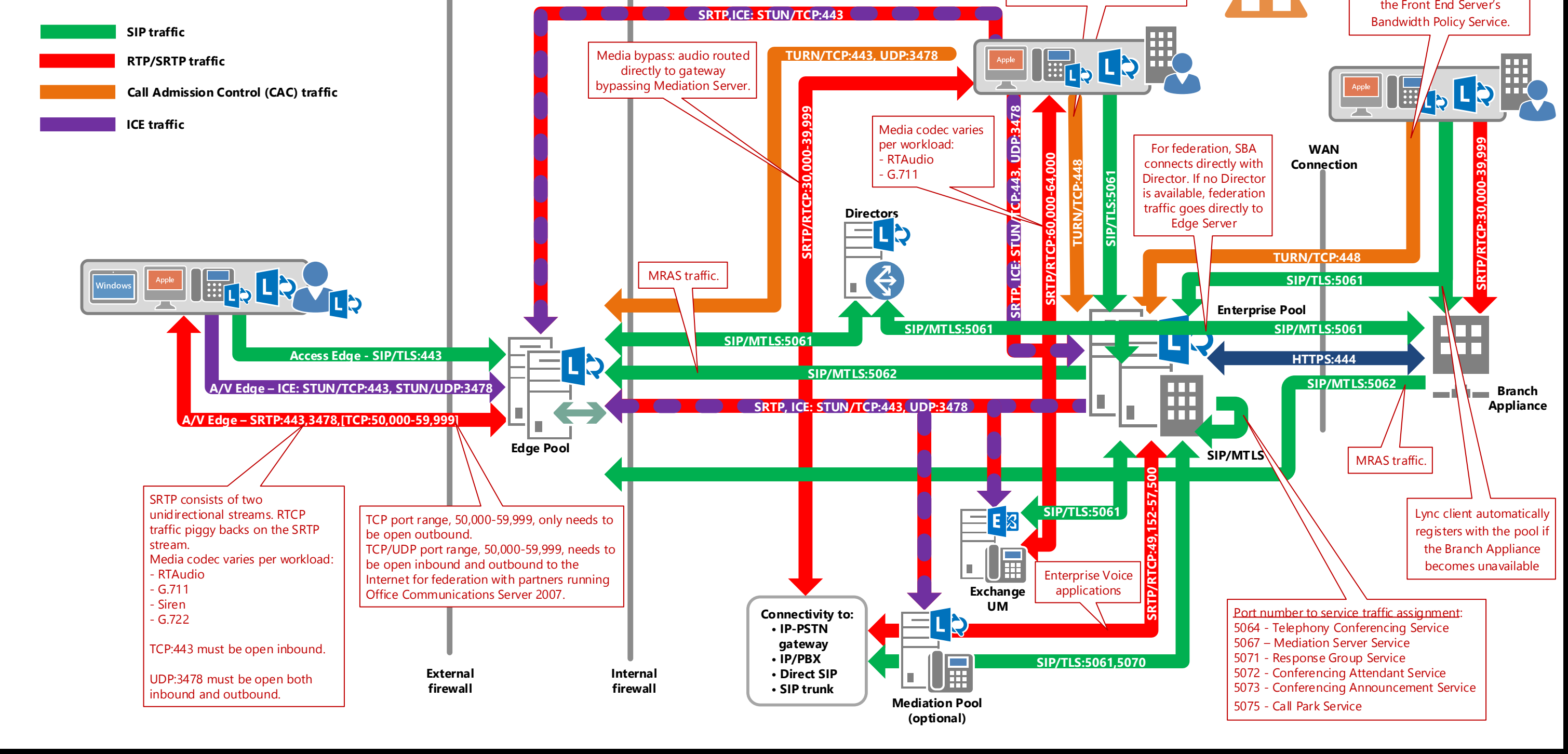
APPLICATION SHARING



CMS



ENTERPRISE VOICE



LEGEND

© 2013 Microsoft Corporation. All rights reserved. Active Directory, Lync, Skype, and any associated logos are either registered trademarks or trademarks of Microsoft Corporation in the United States and/or other countries. Other trademarks or trade names mentioned herein are the property of their respective owners.